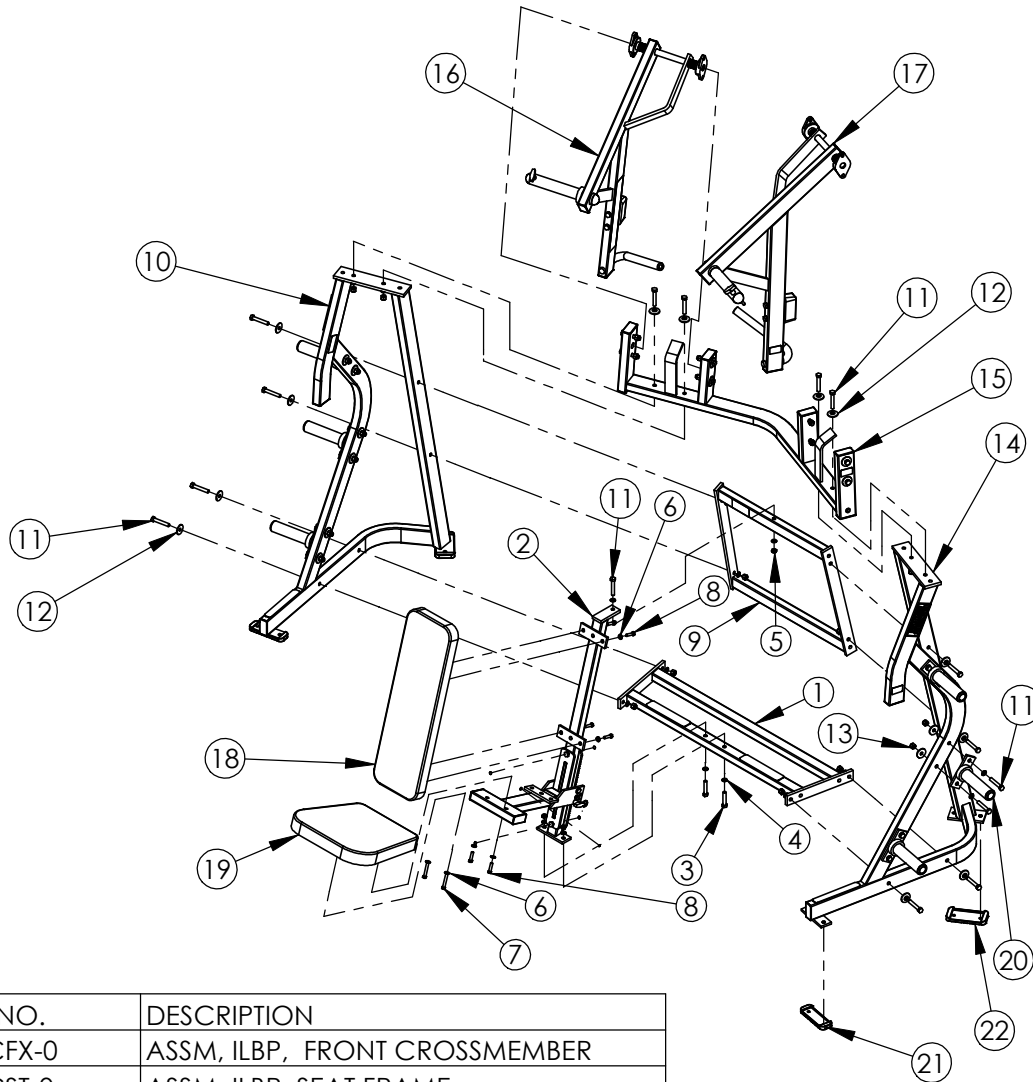


WEIGHT = 340 LB  
LENGTH = 44"  
WIDTH = 55"  
HEIGHT = 70"

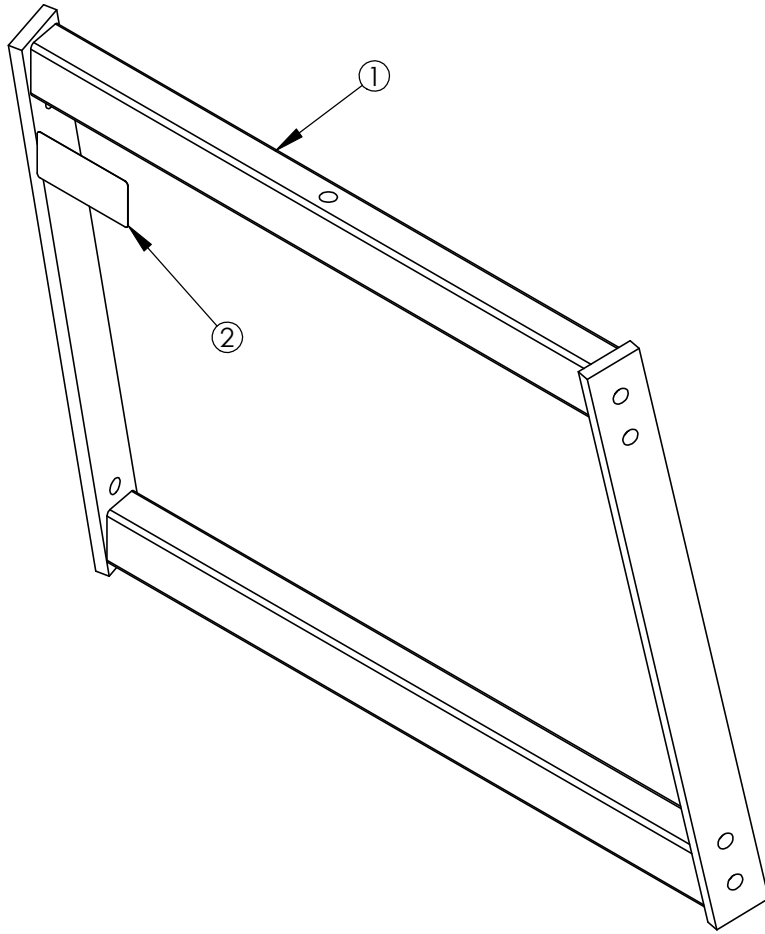
# HAMMER STRENGTH EQUIPMENT ILBP-H EXPLODED ASSEMBLY



ITEM NO.	QTY.	PART NO.	DESCRIPTION
1	1	ILBP-CFX-0	ASSM, ILBP, FRONT CROSSMEMBER
2	1	ILBP-CST-0	ASSM, ILBP, SEAT FRAME
3	2	HHB.5X2.5	1/2 X 2 1/2 BOLT
4	30	WASH.5STAR	1/2" INTERNAL LOCK WASHER
5	3	NUT.5JAMLOCK	1/2 THIN LOCK NUT
6	8	WASH.375SAE	3/8" SAE FLAT WASHER
7	2	HHB.375X2.5	STEEL BOLT 3/8 X 2.5
8	6	HHB.375X1.5	STEEL BOLT 3/8 X 1.5
9	1	ILBP-CBX-0	ASSM, ILBP, BACK CROSSMEMBER
10	1	ILBP-CSFR-1	ASSM, ILBP, RIGHT SIDE FRAME
11	25	HHB.5X3	1/2 X 3 BOLT
12	24	H-BACK-WASH	BACKING WASHER
13	24	NUT.5LOCK	1/2 DIA THICK LOCK NUT
14	1	ILBP-CSFL-1	ASSM, ILBP, LEFT SIDE FRAME
15	1	ILBP-CTX-0	ASSM, ILBP, TOP CROSSFRAME
16	1	ILBP-CMAR-2	ASSY, ILBPH, RIGHT MOVEMENT ARM
17	1	ILBP-CMAL-2	ASSY, ILBP, LEFT MOVEMENT ARM
18	1	U-33-19	BACK PAD
19	1	U-16-11	16X11 PAD
20	6	H-HORN-ASSY	ASSY, WEIGHT HORN
21	2	MM-8	2 X 6 FLANGE RUBBER SLIPPER
22	2	MM-9	3 X 6 FLANGE RUBBER SLIPPER



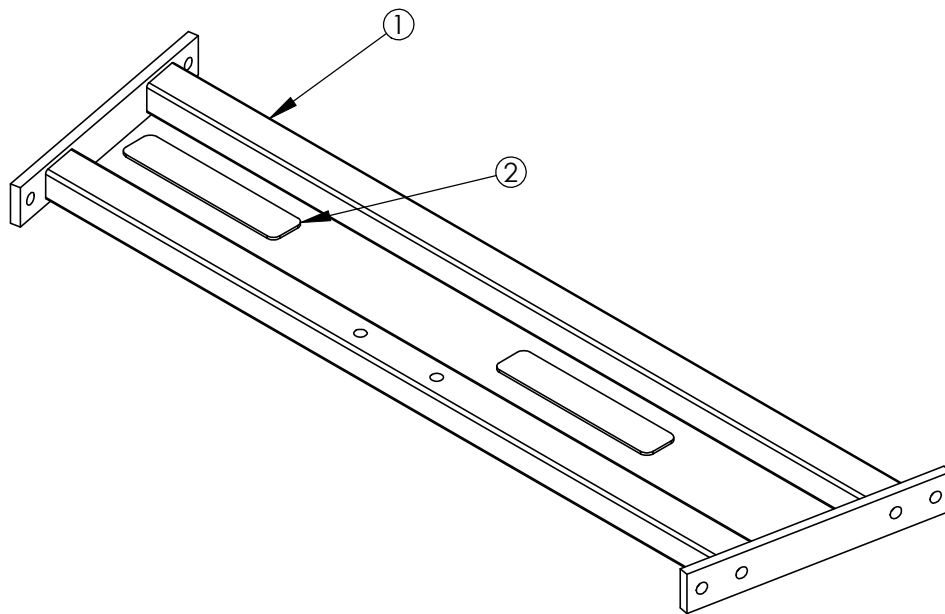
**HAMMER STRENGTH EQUIPMENT**  
**ILBP-CBX-0: ASSM, ILBP, BACK CROSSMEMBER**



ITEM NO.	QTY.	PART NO.	DESCRIPTION
1	1	ILBP-BX-0	BACK CROSS MEMBER
2	1	WARNING SMALL-H	SMALL WARNING HOR.

WEIGHT = 24 LB  
 LENGTH = 23 1/2"  
 WIDTH = 28 1/4"  
 HEIGHT = 2"

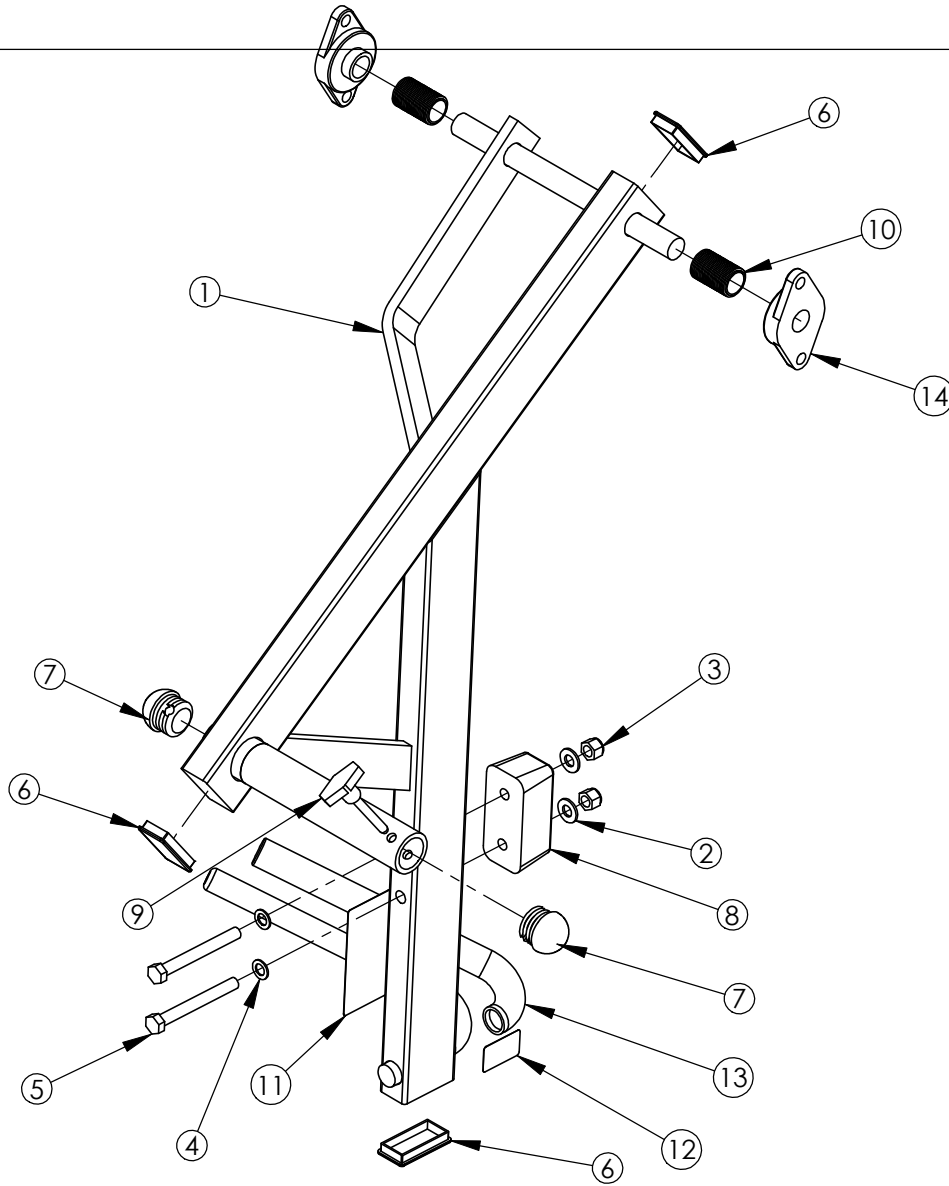
**HAMMER STRENGTH EQUIPMENT**  
**ILBP-CFX-0: ASSM, ILBP, FRONT CROSSMEMBER**



ITEM NO.	QTY.	PART NO.	DESCRIPTION
1	1	ILBP-FX-0	WLDMT, ILBP, FRONT CROSSMEMBER
2	2	H-NONSKID 2X9	PLASTIC NON SKID STRIP 2 X 9

WEIGHT = 26 LB  
 LENGTH = 13 1/4"  
 WIDTH = 45"  
 HEIGHT = 2"

**HAMMER STRENGTH EQUIPMENT**  
**ILBP-CMAL-2: ASSY, ILBPH, LEFT MOVEMENT ARM**

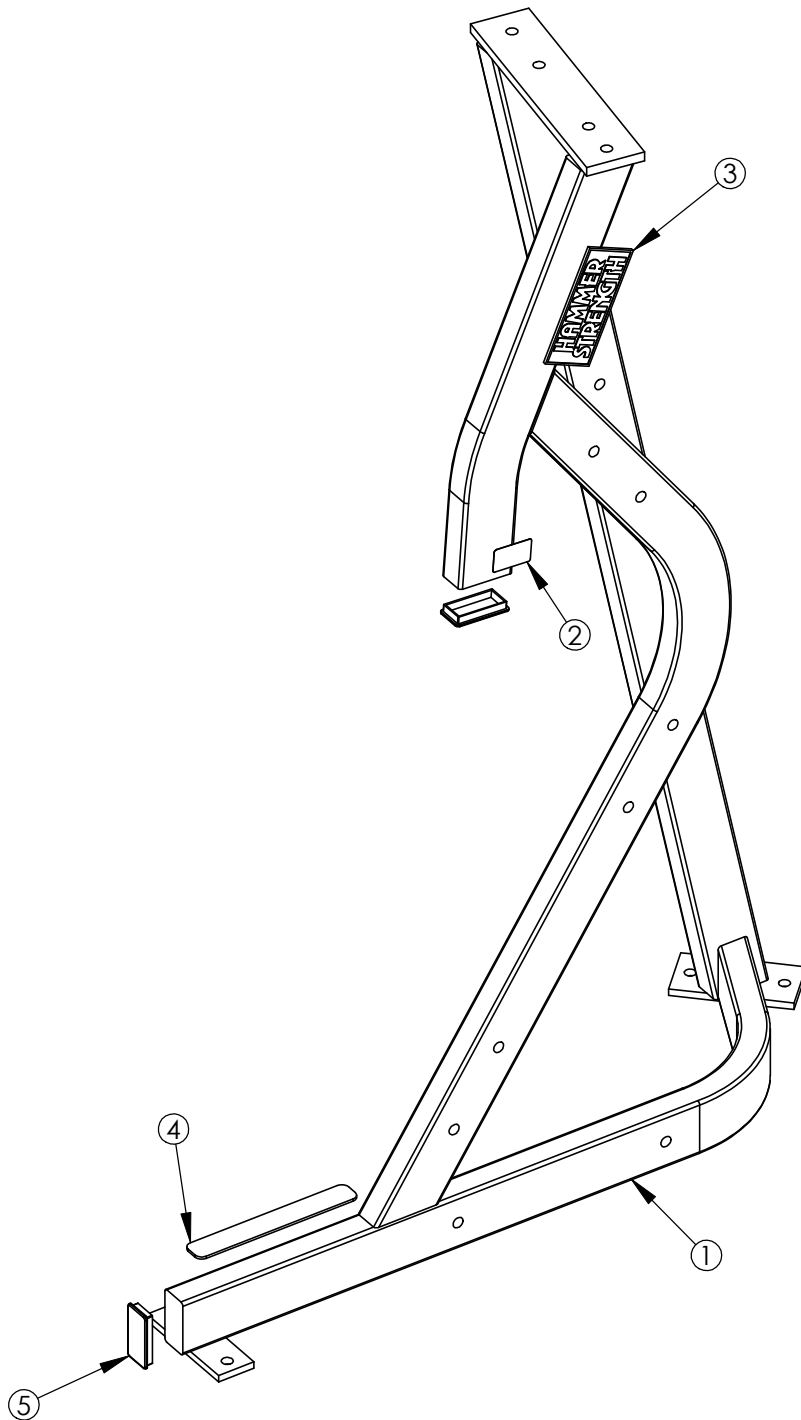


WEIGHT = 37 LB  
 LENGTH = 27 1/4"  
 WIDTH = 22"  
 HEIGHT = 40 1/4"

PAGE 5 OF 9

ITEM NO.	QTY.	PART NO.	DESCRIPTION
1	1	ILBP-MAL-1	WLDMT, ILBPH, LEFT MOVEMENT ARM
2	2	WASH.5SAE	1/2" SAE FLAT WASHER
3	2	NUT.5LOCK	1/2 DIA THICK LOCK NUT
4	2	WASH.5STAR	1/2" INTERNAL LOCK WASHER
5	2	HHB.5X4.5	1/2 X 4 1/2 BOLT
6	3	RC1530-1Q1	CAP:1-1/2 X 3 RECTANGLE PLUG
7	2	RUBCAP1-2	RUBBER CAP #1
8	1	H-BUMP-MED	MM2 MEDIUM
9	1	SELECTOR PIN-3	SELECTOR PIN 3 IN.
10	2	ACCORDIAN	SHAFT GUARD
11	1	WARNING LARGE-V	LARGE WARNING VERT.
12	1	STAY CLEAR	STAY CLEAR DECAL
13	1	H-GRIP	HANDLE GRIPS (.938X16)
14	2	H-BEAR-SML	SMALL BEARING

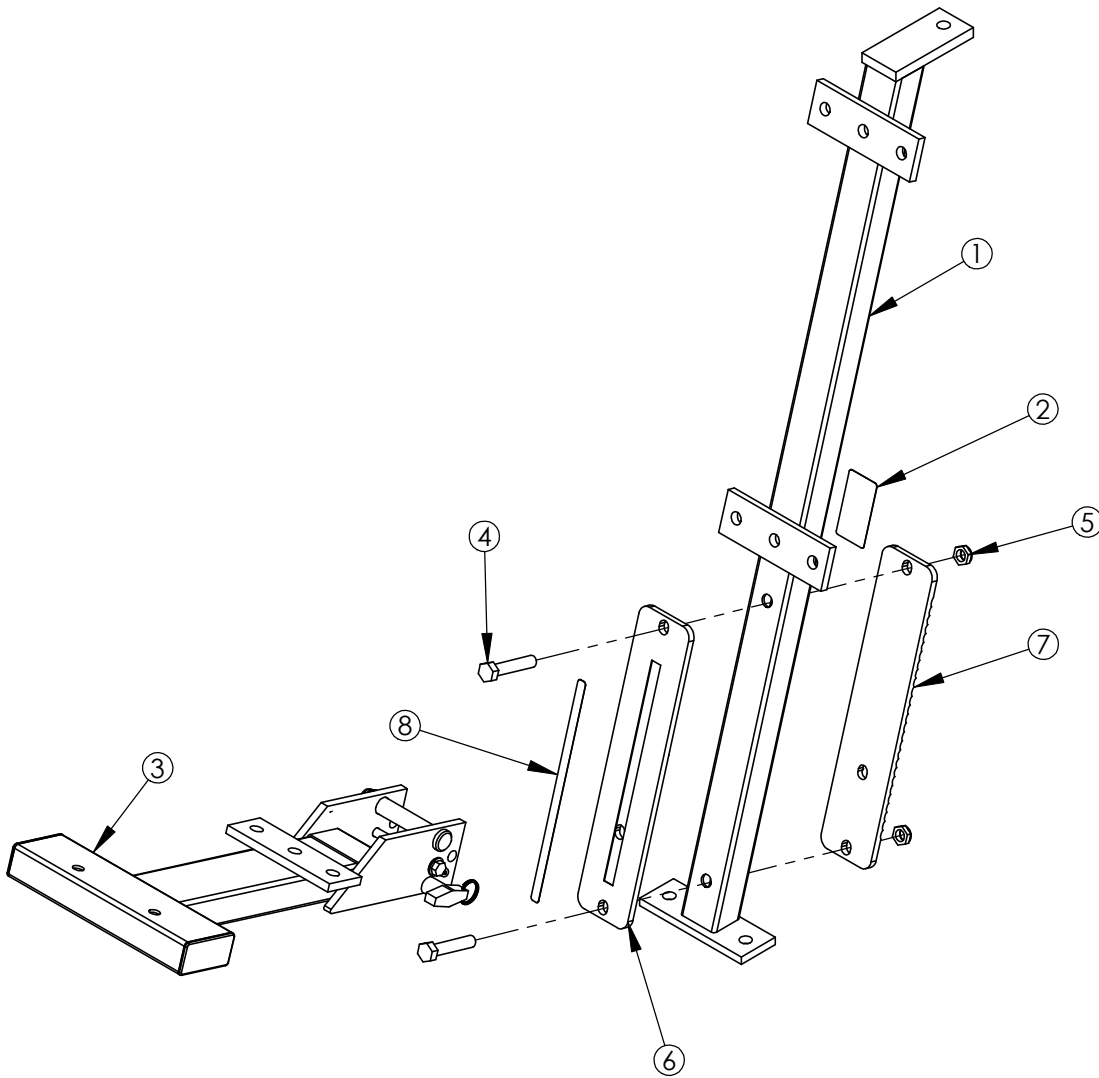
**HAMMER STRENGTH EQUIPMENT**  
**ILBP-CSFL-1: ASSM, ILBP, LEFT SIDE FRAME**



ITEM NO.	QTY.	PART NO.	DESCRIPTION
1	1	ILBP-SFL-0	ASSY, ILBP, LEFT SIDE FRAME
2	1	STAY CLEAR	STAY CLEAR DECAL
3	1	H-NAME PLATE	NAMEPLATE (45156-P)
4	1	NONSKID 1 X 9	PLASTIC NON SKID STRIP 1 X 9
5	2	RC1530-1Q1	CAP:1-1/2 X 3 RECTANGLE PLUG

WEIGHT = 57 LB  
 LENGTH = 42 1/2"  
 WIDTH = 10 1/4"  
 HEIGHT = 60"

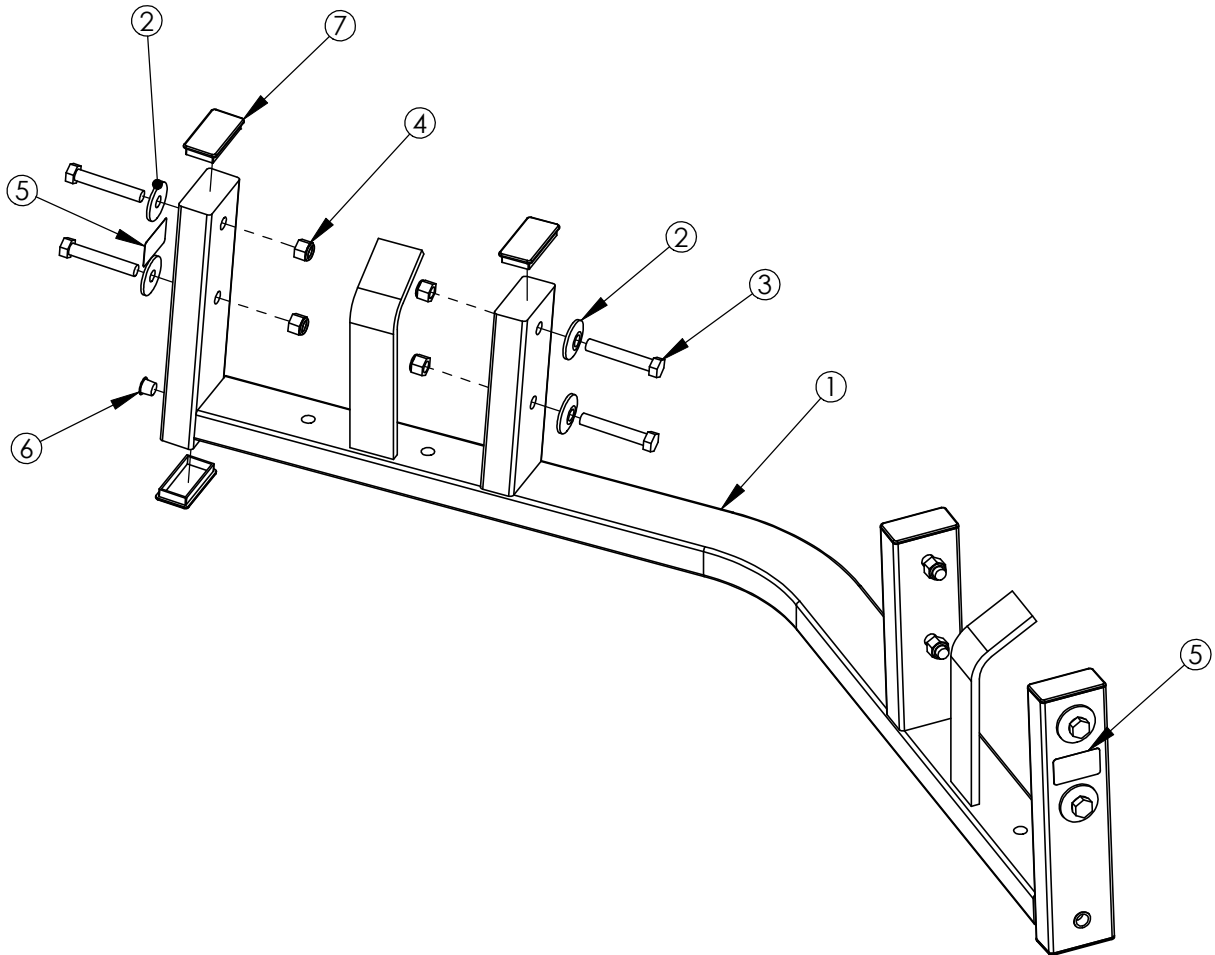
**HAMMER STRENGTH EQUIPMENT**  
**ILBP-CST-0: ASSM, ILBP, SEAT FRAME**



ITEM NO.	QTY.	PART NO.	DESCRIPTION
1	1	ILBP-ST-0	WLDMT, ILBP, SEAT FRAME
2	1	SERIAL NUMBER	SERIAL NUMBER
3	1	CSTD-ST2-1	ASSY, STANDARD SEAT 2
4	2	HHB.5X2.5	1/2 X 2 1/2 BOLT
5	2	NUT.5JAMLOCK	1/2 THIN LOCK NUT
6	1	H-SEATRCKS-N	PLASTIC SEAT GUIDES (PP229) NEW)
7	1	H-SEATRCKS-RIB	SEATRACK BACK
8	1	SEAT NUMBER	SEAT ADJ. NUMBER

WEIGHT = 26 LB  
 LENGTH = 21"  
 WIDTH = 10 1/4"  
 HEIGHT = 42"

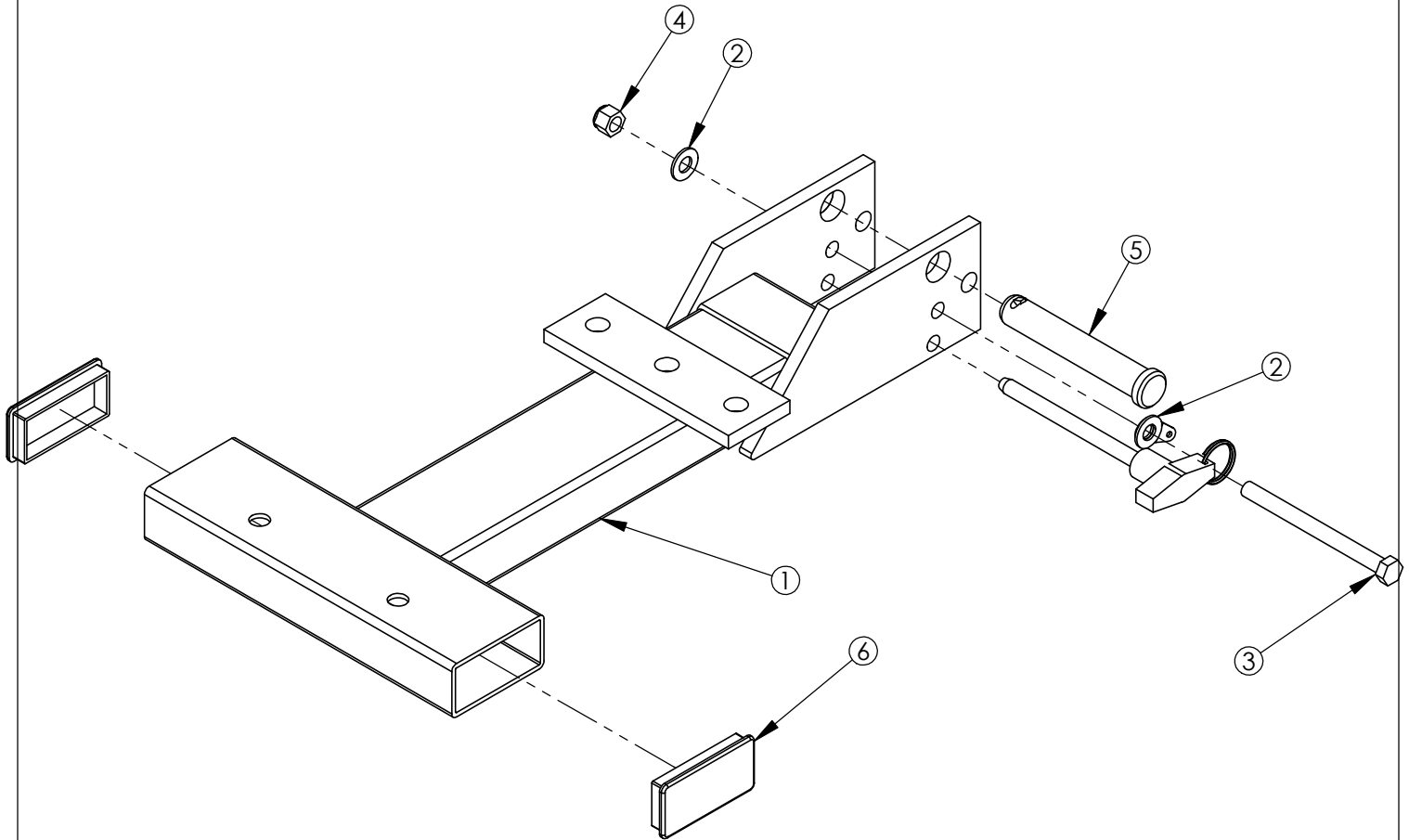
**HAMMER STRENGTH EQUIPMENT**  
**ILBP-CTX-0: ASSM, ILBP, TOP CROSSFRAME**



ITEM NO.	QTY.	PART NO.	DESCRIPTION
1	1	ILBP-TX-0	WLDMT, ILBP, TOP CROSSMEMBER
2	8	H-BACK-WASH	BACKING WASHER
3	8	HHB.5X3	1/2 X 3 BOLT
4	8	NUT.5LOCK	1/2 DIA THICK LOCK NUT
5	2	STAY CLEAR	STAY CLEAR DECAL
6	2	H-HPLUG (REG)	9/16IN HOLE PLUG
7	6	RC1530-1Q1	CAP:1-1/2 X 3 RECTANGLE PLUG

WEIGHT = 37 LB  
 LENGTH = 55"  
 WIDTH = 12"  
 HEIGHT = 12 1/2"

**HAMMER STRENGTH EQUIPMENT  
CSTD-ST2-1: ASSY, STANDARD SEAT 2**



ITEM NO.	QTY.	PART NO.	DESCRIPTION
1	1	STD-ST2	Standard Seat #2
2	2	WASH.375SAE	3/8" SAE FLAT WASHER
3	1	HHB.375X4.5	STEEL BOLT 3/8 X 4.5
4	1	NUT.375LOCK	3/8 THICK LOCK NUT
5	1	STD SEAT PIN	LONG SEAT PIN (HDADJ)
6	2	RC1530-1Q1	CAP:1-1/2 X 3 RECTANGLE PLUG
7	1	SELECTPIN	ASSY, STD SEAT SELECTOR PIN

WEIGHT = 3 1/4lb  
 LENGTH = 20 1/2"  
 WIDTH = 10 1/4"  
 HEIGHT = 3"